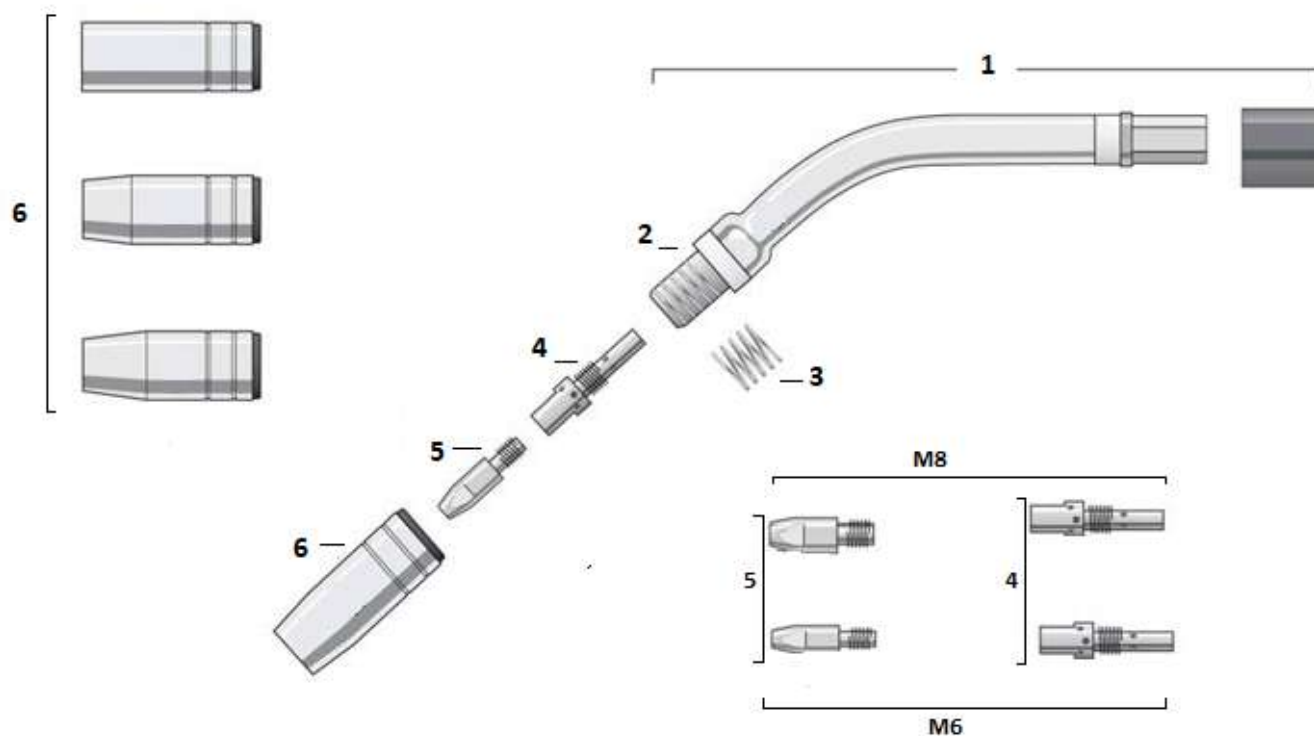


ANTORCHA MB 25



| Referencia | Posición | Descripción |
|------------|----------|---|
| 099002540 | 0 | Antorcha MB 25 4 mts. |
| 112500400 | 1 | Cuello |
| 112501101 | 2 | Porta tobera HOLT |
| 112501300 | 3 | Resorte (muelle) |
| 112501106 | 4 | Prolongación Gas M6 |
| 112501108 | | Prolongación Gas M8 |
| 102608015 | 5 | Tubo contacto CuCrZr M6 \varnothing 0.8 |
| 102808015 | | Tubo contacto CuCrZr M8 \varnothing 0.8 |
| 102610015 | | Tubo contacto CuCrZr M6 \varnothing 1.0 |
| 102810015 | | Tubo contacto CuCrZr M8 \varnothing 1.0 |
| 102612015 | | Tubo contacto CuCrZr M6 \varnothing 1.2 |
| 102812015 | | Tubo contacto CuCrZr M8 \varnothing 1.2 |
| 112501602 | 6 | Boquilla gas cónica |
| 112501604 | | Boquilla gas cilíndrica |
| 112501603 | | Boquilla gas estrecha |
| 112502542 | 7 | Sirga forrada |